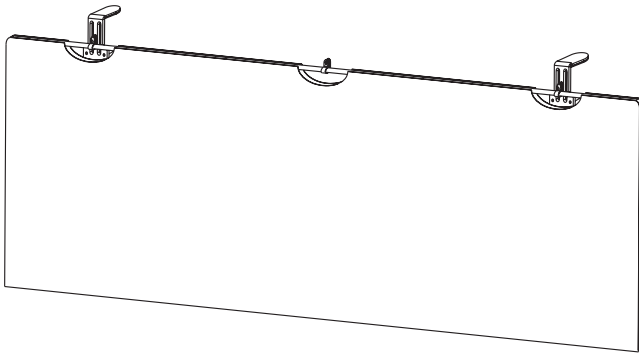


Black Clamp-on 60" Cable Management Desk Organizer Instruction Manual



SKU: DESK-SKIRT-60P



Scan the QR code with your mobile device or follow the link for helpful videos and specifications related to this product.

<https://vivo-us.com/products/desk-skirt-60p>

GET IN TOUCH | Monday-Friday from 7:00am-7:00pm CST



help@vivo-us.com



www.vivo-us.com
Chat live with an agent!



309-278-5303

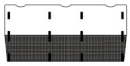
⚠️ WARNING!

If you do not understand these directions, or if you have any doubts about the safety of the installation, please call a qualified technician. Check carefully to make sure there are no missing or defective parts. Improper installation may cause damage or serious injury. Do not use this product for any purpose that is not explicitly specified in this manual and do not exceed weight capacity. We cannot be liable for damage or injury caused by improper mounting, incorrect assembly, or inappropriate use.

⚠️ WARNING: CHOKING HAZARD

SMALL PARTS - NOT FOR CHILDREN UNDER 3 YEARS. ADULT SUPERVISION IS REQUIRED.

PACKAGE CONTENTS



A (x1)
Panel



B (x2)
Side Bar



C (x4)
T Joiner



D (x2)
Clamp



E (x3)
Mounting Clip



F (x6)
Upper/Lower Bar



G (x2)
Middle Bar



H (x4)
Joiner



S-A (x2)
Screw



M-A (x3)
3/4" Screw

TOOLS NEEDED



**Phillips
Screwdriver**



Drill

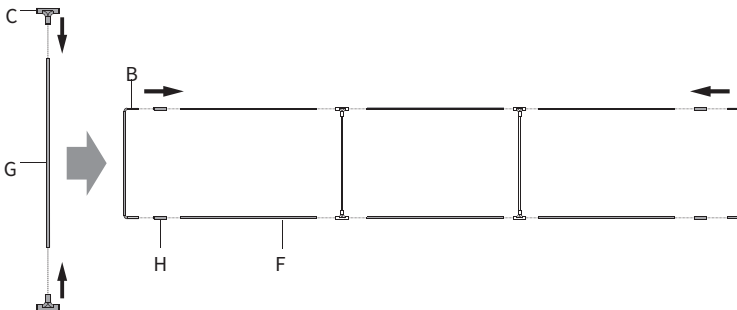


Pencil

ASSEMBLY STEPS

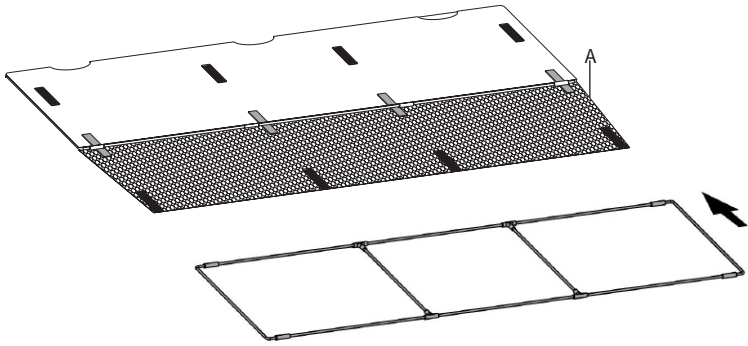
STEP 1

Connect the centers of the T Joiners (**C**) to the ends of the Middle Bars (**G**). Connect the Upper/Lower Bars (**F**) to the sides of the T Joiners (**C**), then connect the Joiners (**H**) and Side Bars (**B**) to the sides to complete the frame assembly.



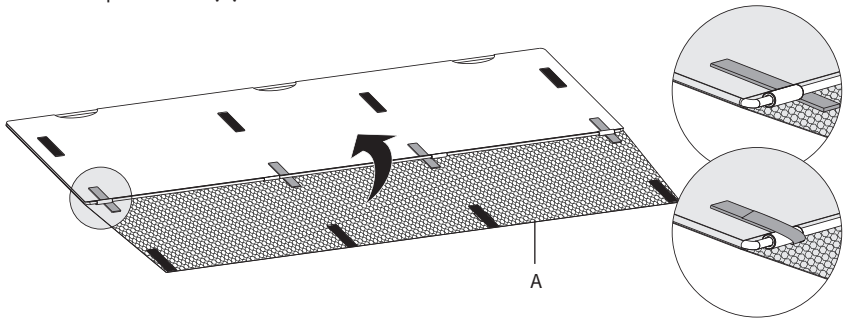
STEP 2

Open the flap and straps of Panel (A) and insert the frame, making sure the frame is fully inserted and the material is tightly stretched around it.



STEP 3

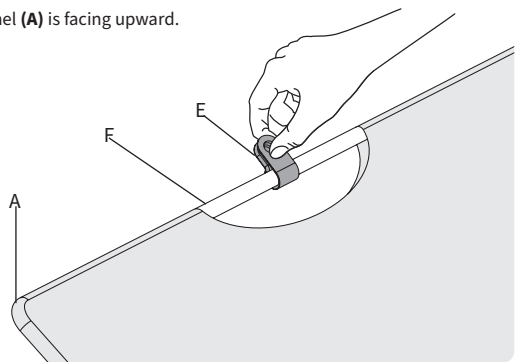
Fasten the straps on Panel (A) to secure the frame.



STEP 4

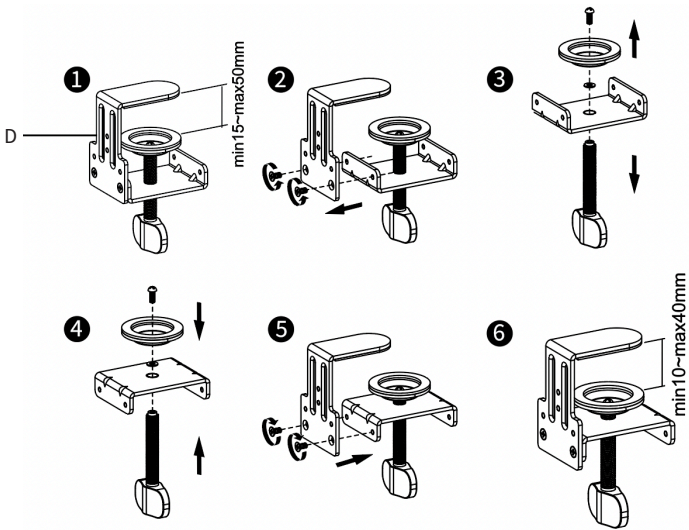
Place Mounting Clips (E) in the center of each exposed portion of Upper/Lower Bars (F).

NOTE: Make sure the wire management flap on Panel (A) is facing upward.



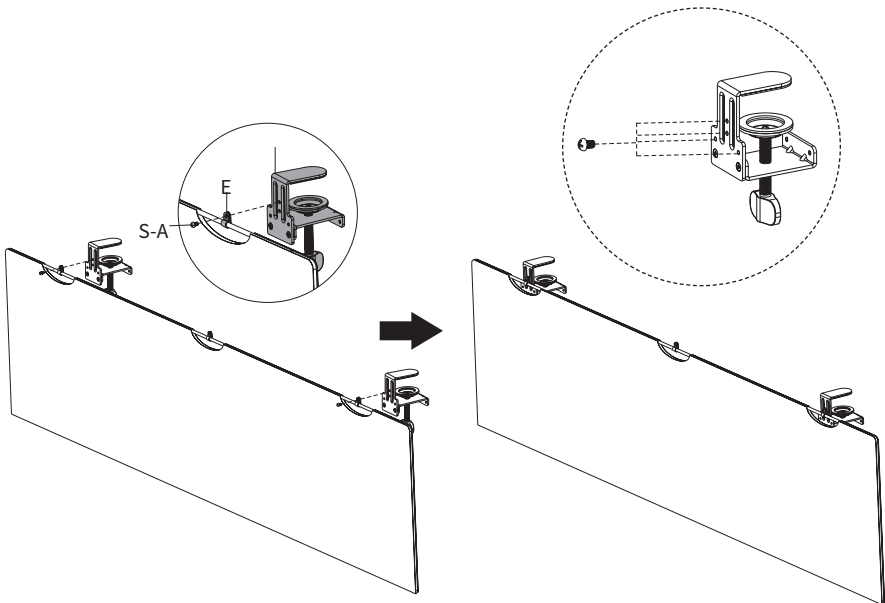
STEP 5

For thinner desktops (<1.5" (40mm)), adjust Clamp (D) by disassembling, flipping the bottom bracket, and reassembling using a Phillips screwdriver.



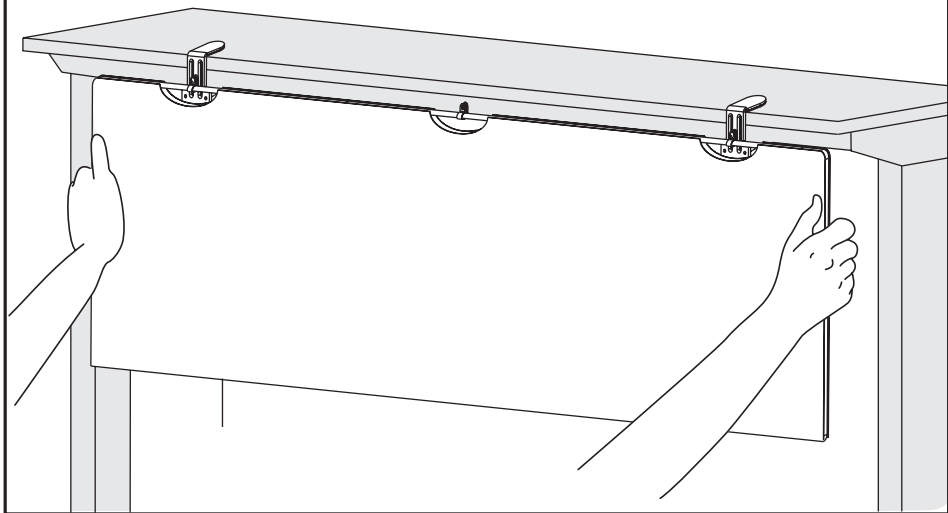
STEP 6

Secure Mounting Clips (E) to Clamp (D) in one of four mounting locations using Screws (S-A).



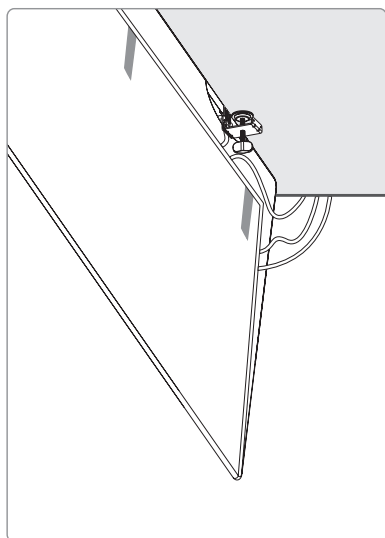
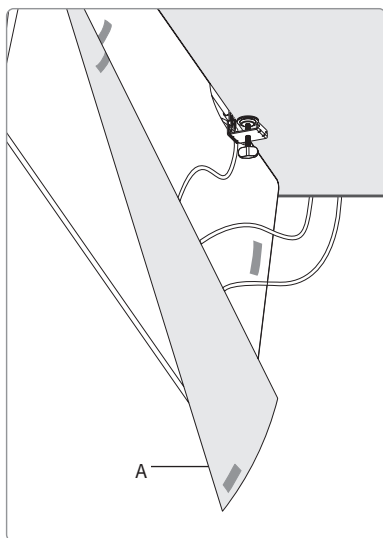
STEP 7

Mount the assembled panel to the desktop and tighten Clamps **(D)** to secure the assembly in place.



STEP 8

Route and organize the cables and secure them using the flap on the panel **(A)**.

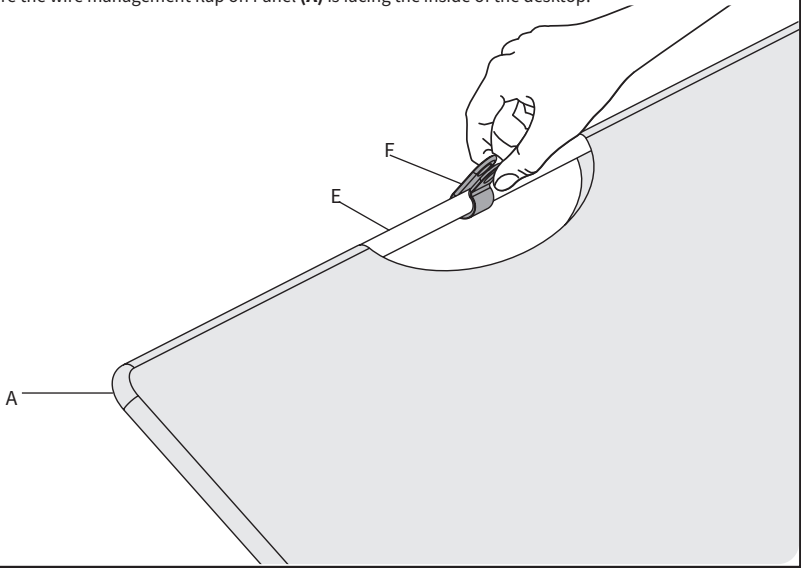


STEP 4 (Optional)

Screw Mounting

Place the Mounting Clips (E) in the center of each exposed portion of Upper/Lower Bars (F).

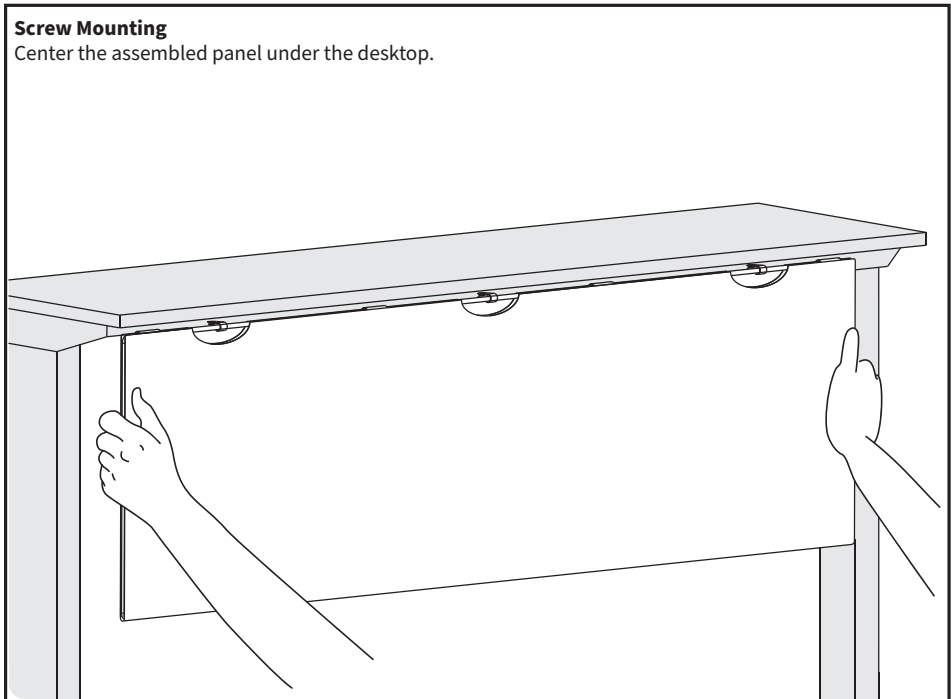
NOTE: Make sure the wire management flap on Panel (A) is facing the inside of the desktop.



STEP 5 (Optional)

Screw Mounting

Center the assembled panel under the desktop.

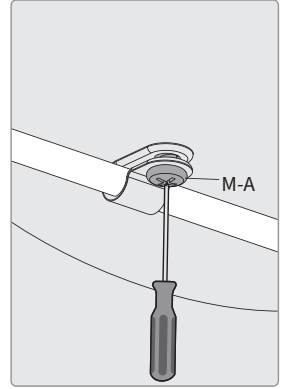
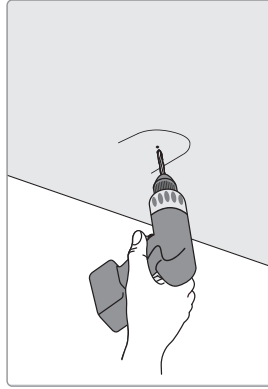
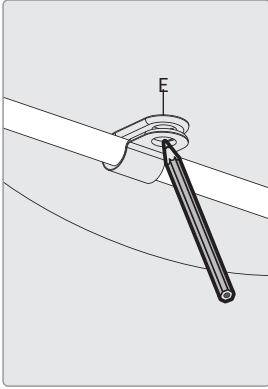


STEP 6 (Optional)

Screw Mounting

Mark the locations of Mounting Clips (**E**) using a pencil. Drill pilot holes using a 1/8" (3mm) bit and mount the assembled panel to the underside of the desk using 3/4" Screws (**M-A**) as shown.

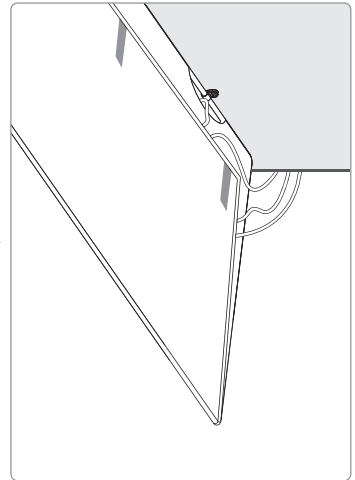
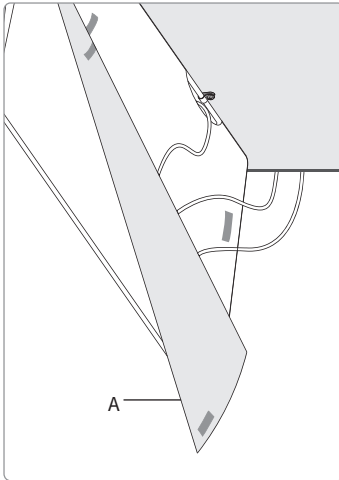
NOTE: Desktop must be at least 1" thick to prevent screws from poking out through the top and damaging the surface.



STEP 7 (Optional)

Screw Mounting

Route and organize the cables and secure them using the flap on Panel (**A**).





Open **Monday - Friday 7:00am - 7:00pm** CST,
our dedicated support team can offer immediate assistance with rapid response times. If any parts are received damaged or defective, please contact us. We are happy to replace parts to ensure you have a fully functioning product.



309-278-5303

AVG. RESOLUTION TIME (*within office hrs*): **5M 4S**



www.vivo-us.com
Chat live with an agent!

AVG. RESOLUTION TIME (*within office hrs*): **< 15 M**



help@vivo-us.com

AVG. RESPONSE TIME (*within office hrs*): **1HR 8M**

- 23% within < 15m
- 38% within < 30m
- 61% within < 1hr
- 83% within < 2hr
- 92% within < 3hr